

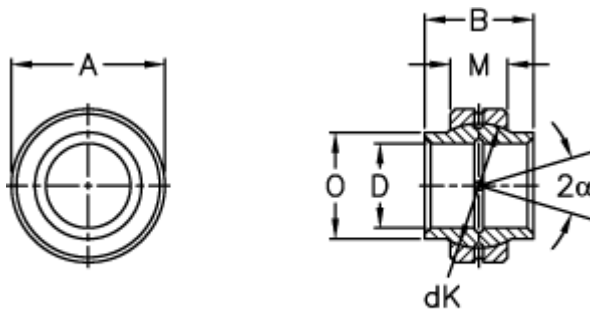
# Data Sheet



Article number: 03504032

Description: Fluro Rod end GE 32LO

## Measures



Str. 12 den smørerille

A	= 52 0 -0,013	Tilt angle = 4
B	= 32	Weight = 210
D	= 32 0 +0,025	
dK	= 44	
Dynamic load C (kN)	= 67	
M	= 18	
O	= 38	
Static load C0 (kN)	= 335	